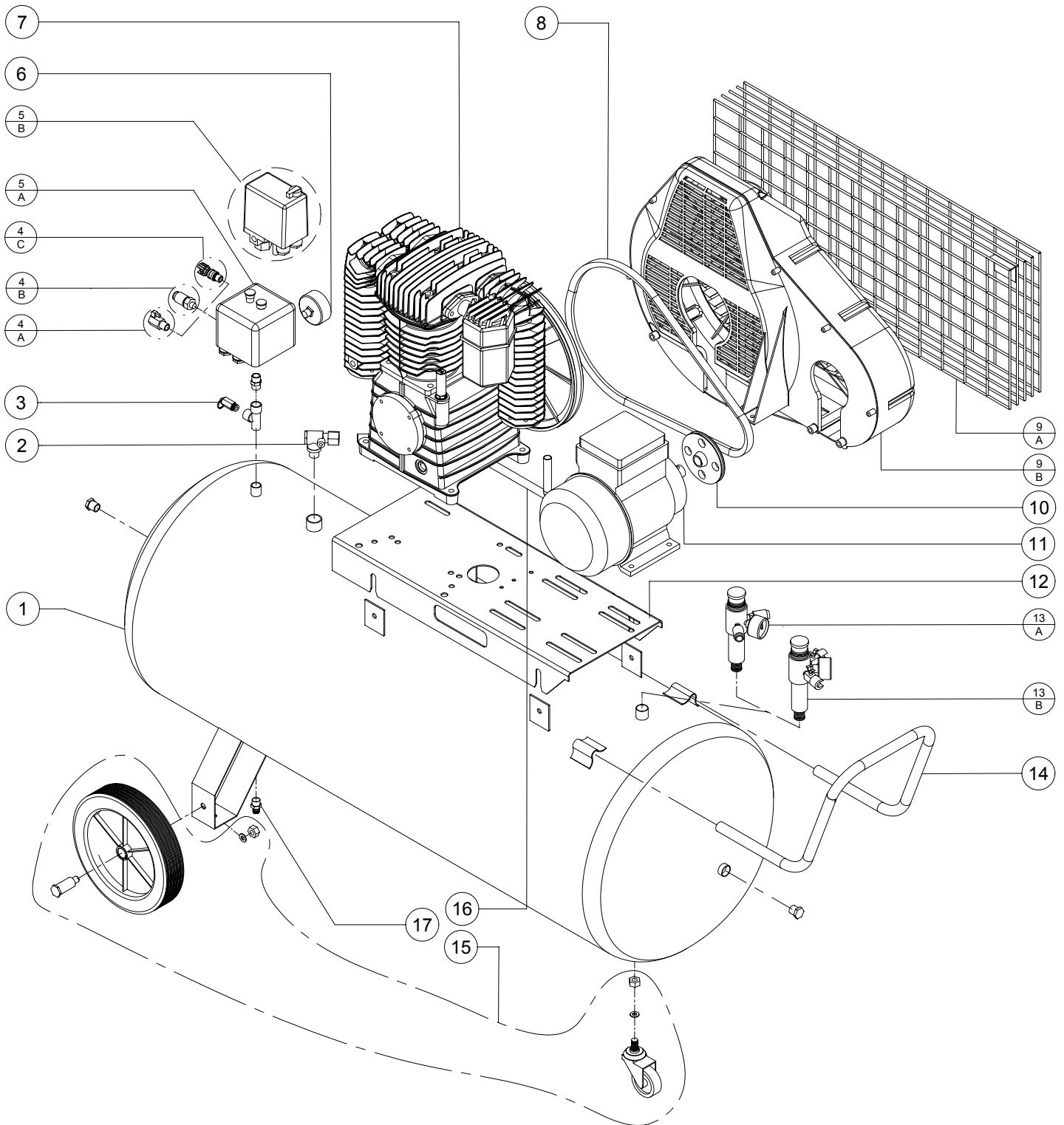


COMP CT 750/270 K30 HP5,5 TP 400/50 CE



REV:0

DATE:29/03/2005

N°	CODE	DENOMINAZIONE	DENOMINATION	DENOMINATION	BEZEICHNUNG	DENOMINATION
MOD: COMP CT 750/270 K30 HP5,5 TP 400/50 CE						
1	11901330	SERBATOIO 270LT	TANK 270LT	RESERVOIR 270LT	BEHAELTER 270LT	TANQUE 270LT
2	14400290	VR 1"M	NON RET VALVE 1"	SOUPAPE RETENUE 1"	RUCKSCHLAGVENTILE	VALVULAS ANTIRRET.
3	14401350	VS 3/8" 11B	SAFETY VALVES	SOUPAPES DE SURETE	SICHERHEITSVENTILE	VALVULAS DE SEGUR.
4/A	15300240	RUBINETTO SFERA	RAPID BALL TAPS	ROBINETS A BILLE	SCHNELLKUPPLUNGEN	ENCHUFES DE BOLAS
4/B	15300410	RUBINETTO EURO	RAPID BALL TAPS	ROBINETS RAPIDES	SCHNELLKUPPLUNGEN	ENCHUFES RAPIDOS
4/C	15300050	RUBINETTO CORSOIO	SLIDE COCK	ROBINET COULISSANT	HANDSCHIEBEHAHN	VALVULA DE CORREDA
5/A	12800170	PRESS.TRIFASE	THREE-PHASE PRESS.	PRESSOSTATS TRIPH.	DREIPHASEN.	PRESOSTATOS TRIF.
5/B	12800410	PRESS.TRIFASE	THREE-PHASE PRESS.	PRESSOSTATS TRIPH.	DREIPHASEN.	PRESOSTATOS TRIF.
6	15000060	MANOMETRO D63	PRESSURE GAUGE D63	MANOMETRE D63	MANOMETER D63	MANOMETRE D63
7	K3010260	GRUPPO K30	GROUP K30	GROUPE K30	AGGREGAT K30	CABEZAL K30
8	13900530	CINGHIA TPZ B57	BELT TPZ B57	COURROIE TPZ B57	RIEMEN TPZ B57	CORREA TPZ B57
9/A	12505350	KIT PARACINGHIA	BELT GUARD	PROTEGE COURROIE	RIEMENSHUETZE KLEN	PROTECCION CORREA
9/B	12504390	KIT PARACINGHIA	PLASTIC BELT GUARD	PROTEGE COURROIE	RIEMENSHUETZE KLEN	PROTECCION CORREA
10	13501020	PULEGGIA 120 1B D28	PULLEY 120 1B D28	POULIE 120 1B D28	SCHEIBE 120 1B D28	POLEA 120 1B D28
11	10700240	MOTORE TRIF.HP5,5	MOT THREE-PH HP5,5	MOT TRIPHASE	DREIPHASIG MOT	MOT TRIFASICO
12	14202110	PIASTRA BASE	BASE PLATE	PLAQUE BAS	BASIS PLATTE	PLACA BASE
13/A	13000360	RIDUTT.PRESSIONE-EURO-	PRESSURE REDUCING	REDUCTEUR DE PRESS.	DRUCKMINDERER	REDUCTOR DE PRES.
13/B	13000430	RIDUTT.PRESSIONE-IT-	PRESSURE REDUCING	REDUCTEUR DE PRESS.	DRUCKMINDERER	REDUCTOR DE PRES.
14	14200280	MANIGLIA	HANDLE	POIGNEE	GRIFF	PICAPORTE
15	12504640	KIT RUOTE	KIT WHEELS	KIT ROUES	KIT RAD	KIT RUEDAS
16	14303010	TUBO DI MANDATA	DELIVERY HOSE	TUYAUX REFOUL	AUSUGS ROHREN	TUBO VUELTA
17	15300320	RUBINETTO DI SPURGO	BLEEDER COCK 3/8	ROBINET CURAGE 3/8	ENTLUFTUNGSHAN 3/8	GRIFO 3/8

REV:0
DATE 29/03/2005